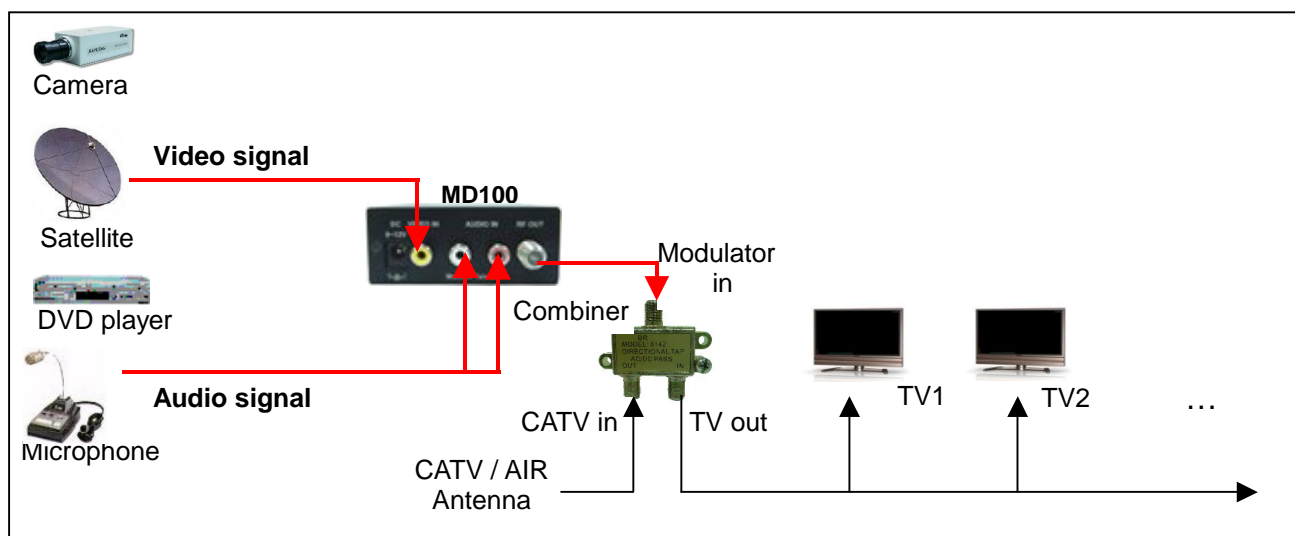


MD100 TV Modulator

■ Introduction:

MD100 (TV Modulator) is designed to integrate any audio and video signal into TV systems. All A/V sources such as CCTV, Satellite Receivers, Digital TV, DVD and VCR can be "modulated" to become your TV Channels. You can distribute CCTV and DVD successfully around the house for every TV. That is the easiest security solution for *household, apartment building, concentrated communities etc...*

■ Diagram:



■ Installation:

1. Find an empty channel in which there isn't any A/V signal
2. Connect your video signal to the video in (RCA connector) of MD100
3. Connect your audio signal to the audio in R-L(RCA connector) of MD100
4. Connect RF out of MD100 to **MODULATOR IN** of combiner
5. Combine the original CATV/AIR signal into **CATV IN** of combiner
6. Connect the **TV OUT** of combiner to original equipment (ex. CATV system, TV RF-IN)
7. Power on

■ Composite:



1. **Gain adjustment** (RF signal db : \pm 0~15db)
2. **LED Channel Display**
3. **Channel Adjustment** (Down)
4. **Channel Adjustment** (Up)



5. **Power Jack** (DC9 ~12V supply)
6. **Video Input** (RCA connector)
7. **Audio Input L** (RCA connector)
8. **Audio Input R** (RCA connector)
9. **RF out** (Connect to combiner)

■ **TV System Value : Multi System Switchable - All in one**

1	nC	NTSC (CATV)	CH58(427.25MHz) ~ CH138(877.25MHz)
2	nA	NTSC (UHF)	CH14(471.25MHz) ~ CH83(885.25MHz)
3	P1	PAL-B/G	E21(471.25MHz) ~ E69(855.25MHz)
4	P2	PAL-I	E21(471.25MHz) ~ E69(855.25MHz)
5	P3	PAL-D/K	E21(471.25MHz) ~ E69(863.25MHz)
6	P4	PAL-B	E21(478.25MHz) ~ E69(814.25MHz)

TV System Selection

1. Power on by adaptor, you will know which TV system is on.
2. If it is your system, please switch the button up/down to your favorite channel.
3. If not
 - (a) Please press the "up" button for few seconds. You will see the LED is twinkling and then you can start to select your TV system.
 - (b) After selection, please power off.
 - (c) Power on again, your system setup is successful.

Lock Channel

After setup, if you want to lock the channel :

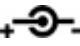
- (a) Power off.
- (b) Press the button "down" persistently then power on.
- (c) This channel is locked.

Unlock Channel

After setup, if you want to unlock the channel :

- (a) Power off.
- (b) Press the button "up" persistently then power on.
- (c) You can adjust channels again.

■ **Specification:**

Display Mode	Digital LED Channel Display.
RF Output Strength	100±5dbuv.
Connector	Audio input / video input (RCA connector), RF out (standard "F" female connector)
Video input	1.0Vp-p.for 87.5% modulation.
Audio input	Pre-emphasis 75us.
Function Adjustable	RF lever, audio deviation, aural carrier,video modulation adjustable.
Frequency Stability	±5KHZ.
Output Control Range	0 ~ 15 db.
Memory Function	Last channel memory.
Power Requirements	DC9V - DC12V / 100mA. 
Coppact Size	115 x 75 x 31 mm.
Modulator Type	Double side band modulation.

4. Remark :

For over channel 100 (3 digit display), it's showed by a " dot " between the 2 digits displayed on the panel.

Example :

58 equals to channel 58.

1.3 equals on the panel 113.



CH58



CH113